



# ISOMETRIC DRAWINGS

## Drawing Principles of Isometric Circles

Developed by: PC Viljoen  
Senior Educational Specialist for  
Engineering Graphics and Design  
Free State Province



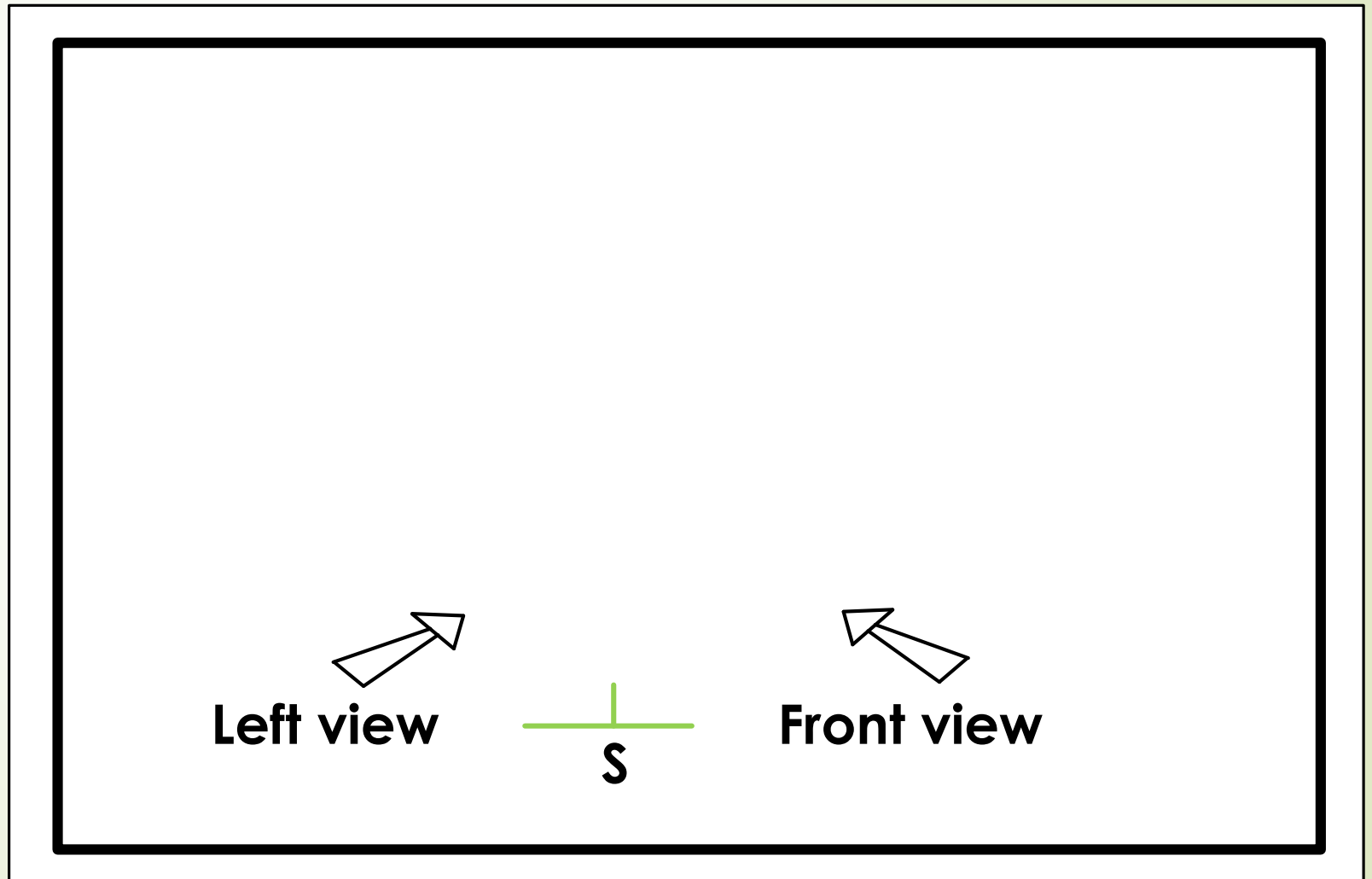
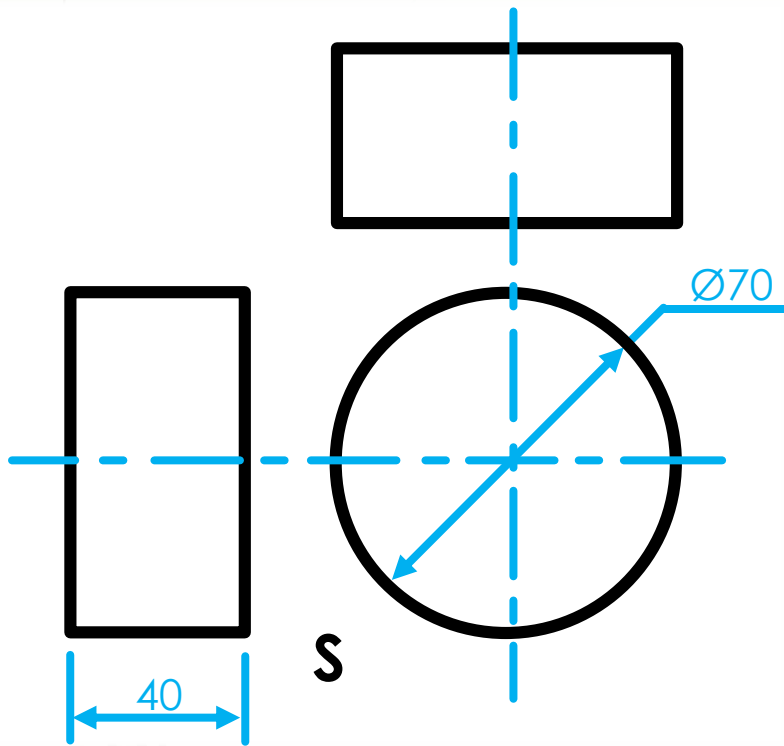
education

Department of  
Education  
FREE STATE PROVINCE

# ISOMETRIC DRAWINGS

Step 1

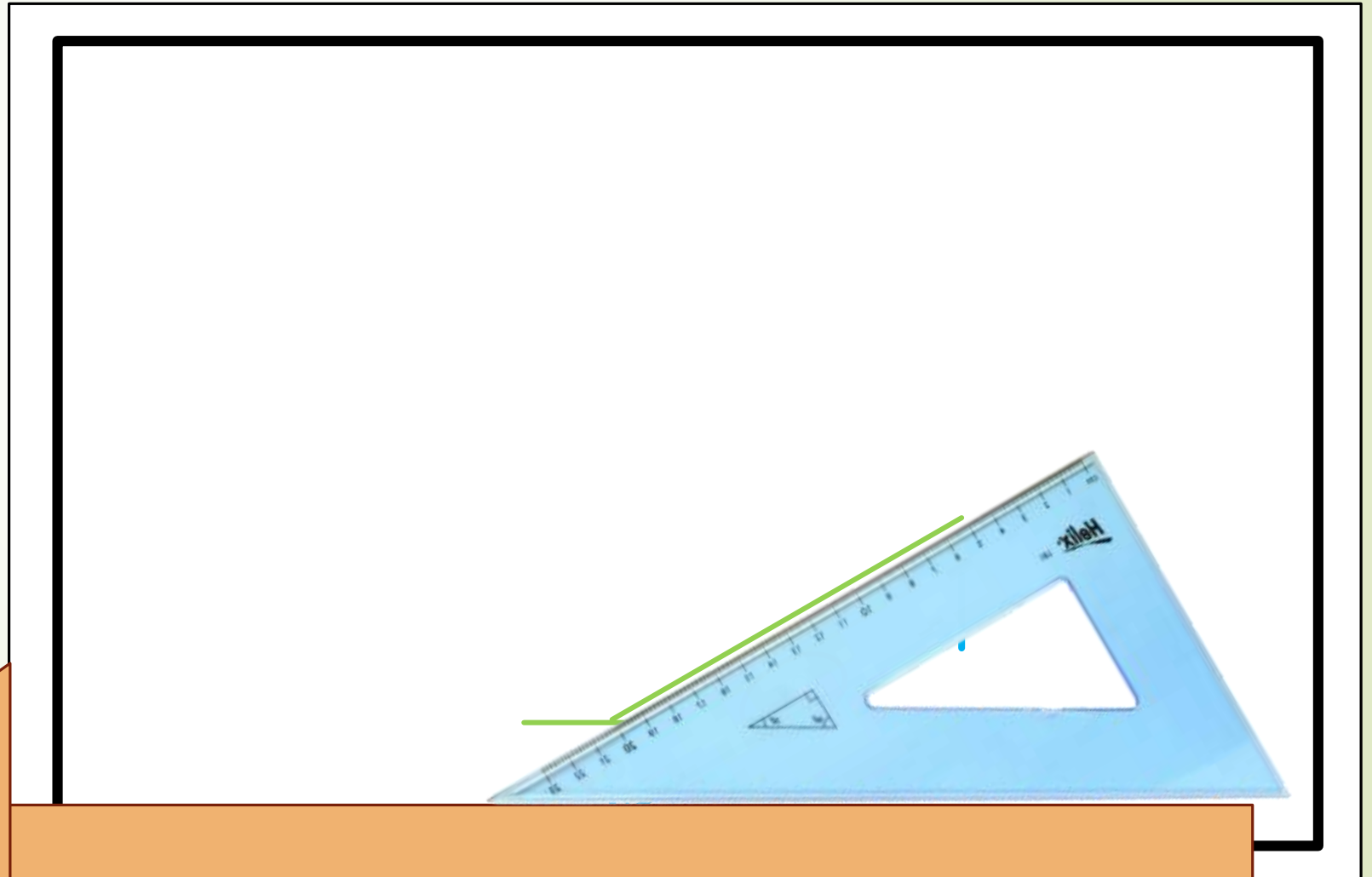
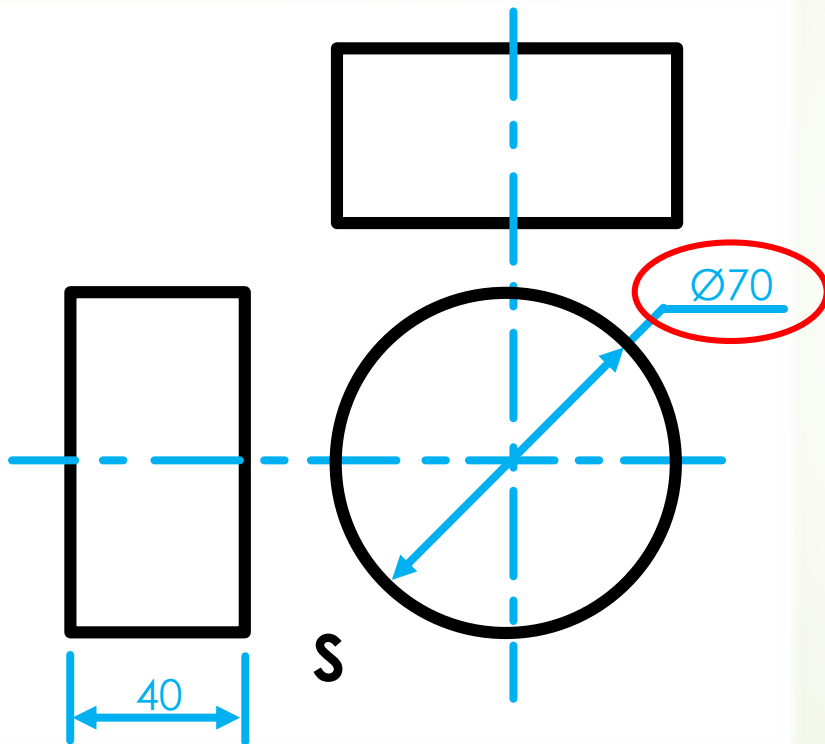
- Question: Use the given orthographic views and convert it into an isometric drawing with point S as the lowest point.



# ISOMETRIC DRAWINGS

Step 2

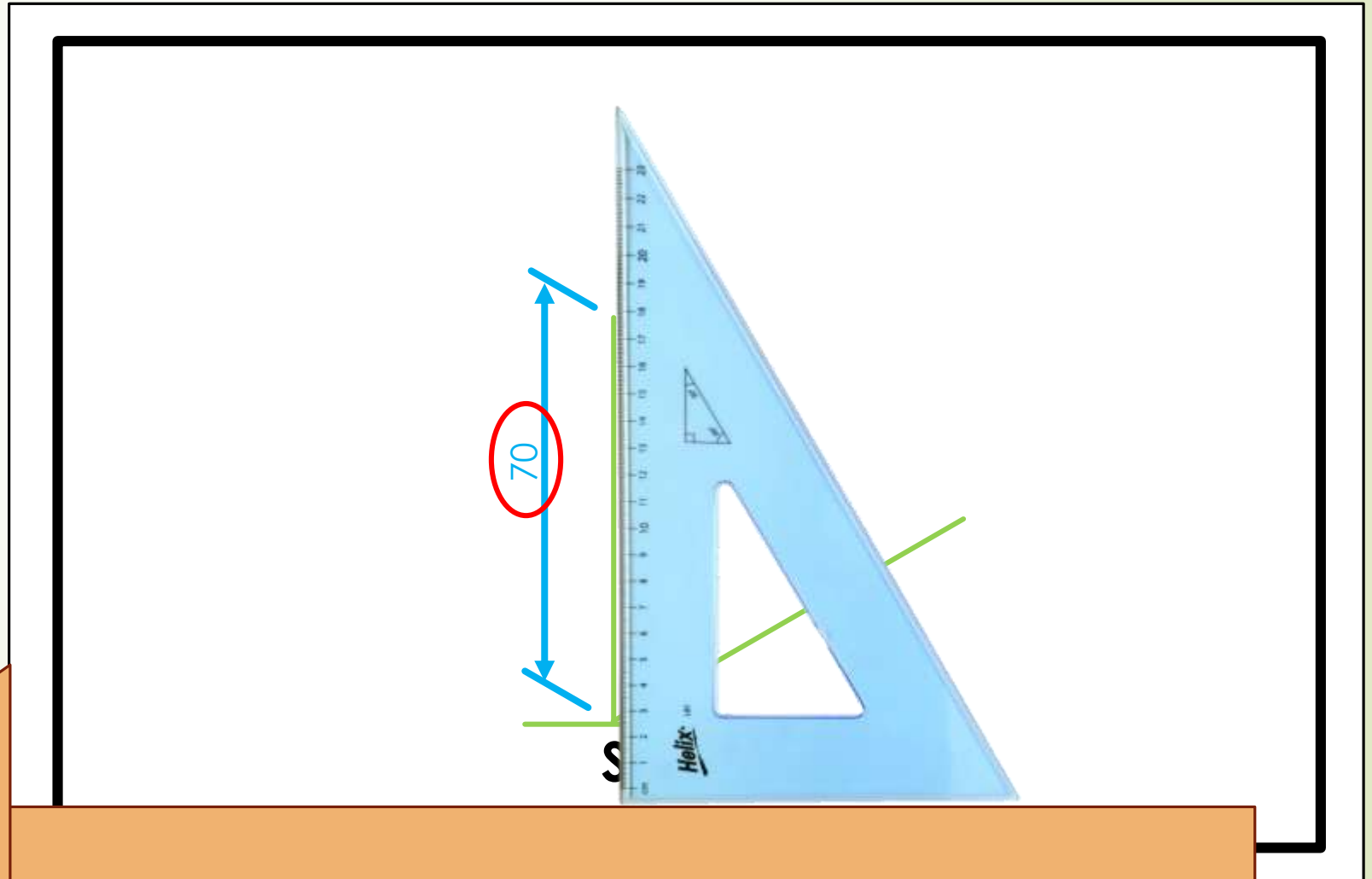
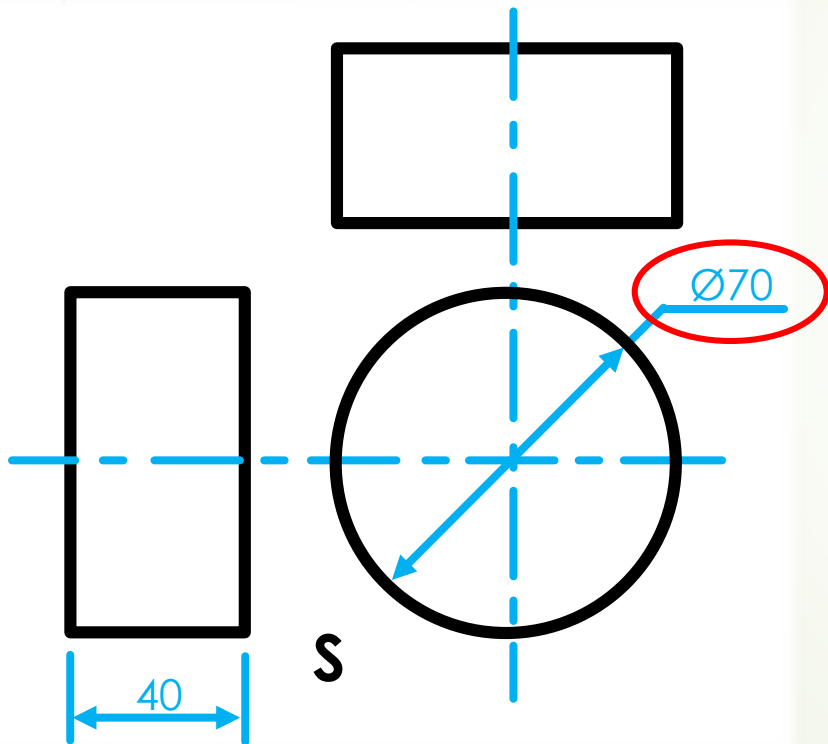
- **Question:** Use the given orthographic views and convert it into an isometric drawing with point S as the lowest point.



# ISOMETRIC DRAWINGS

Step 3

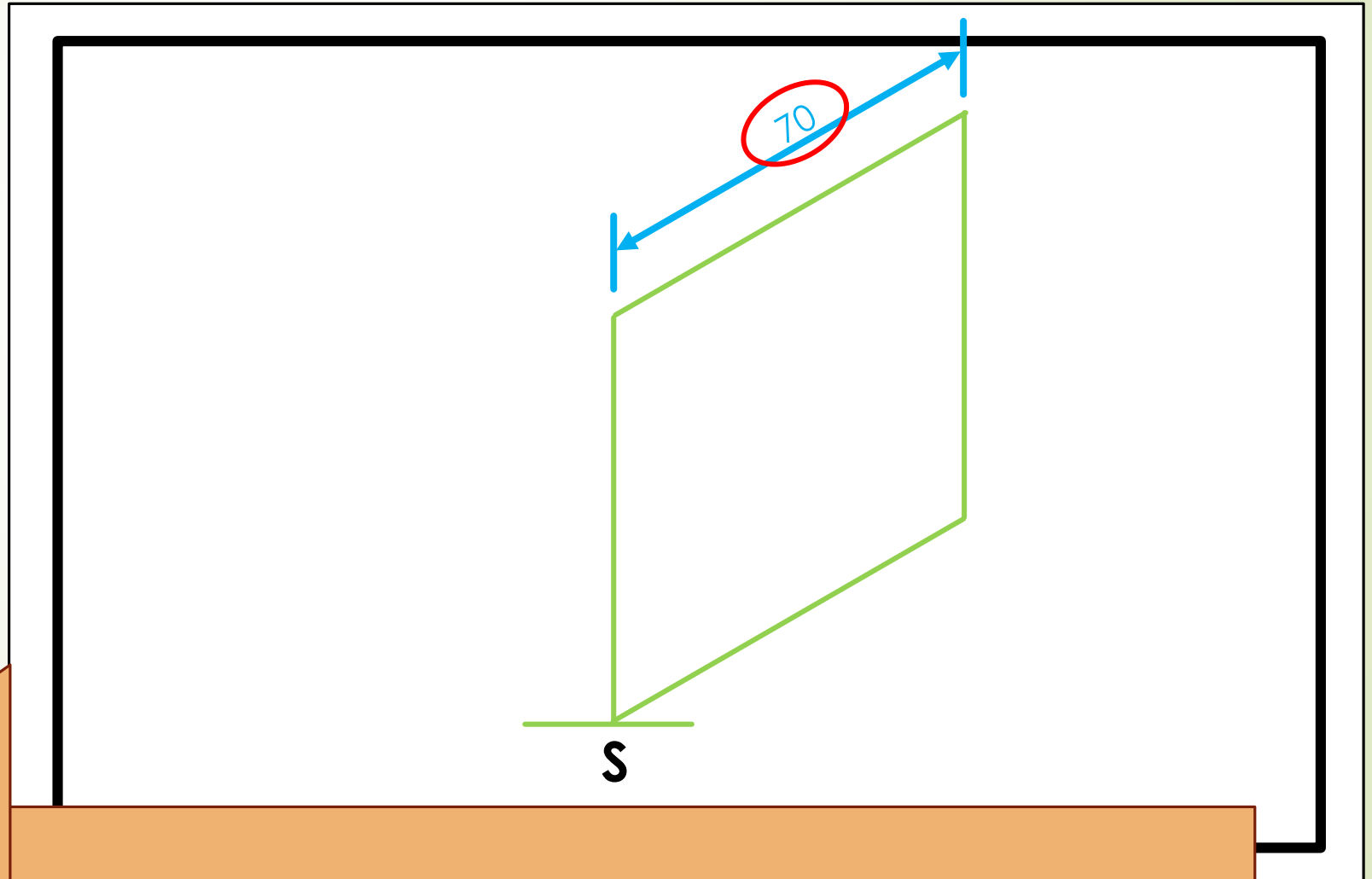
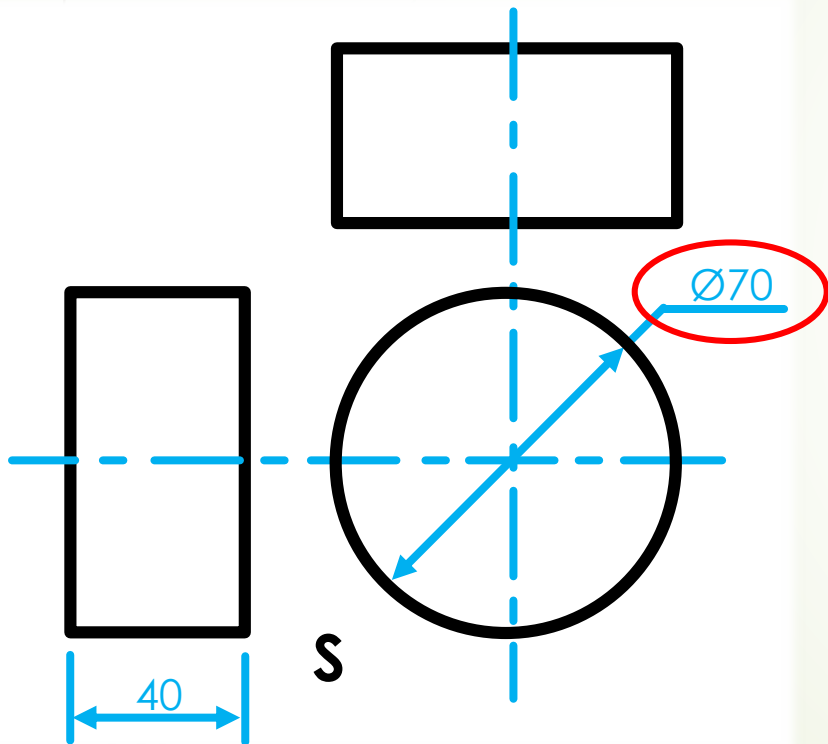
- Question: Use the given orthographic views and convert it into an isometric drawing with point S as the lowest point.



# ISOMETRIC DRAWINGS

Step 4

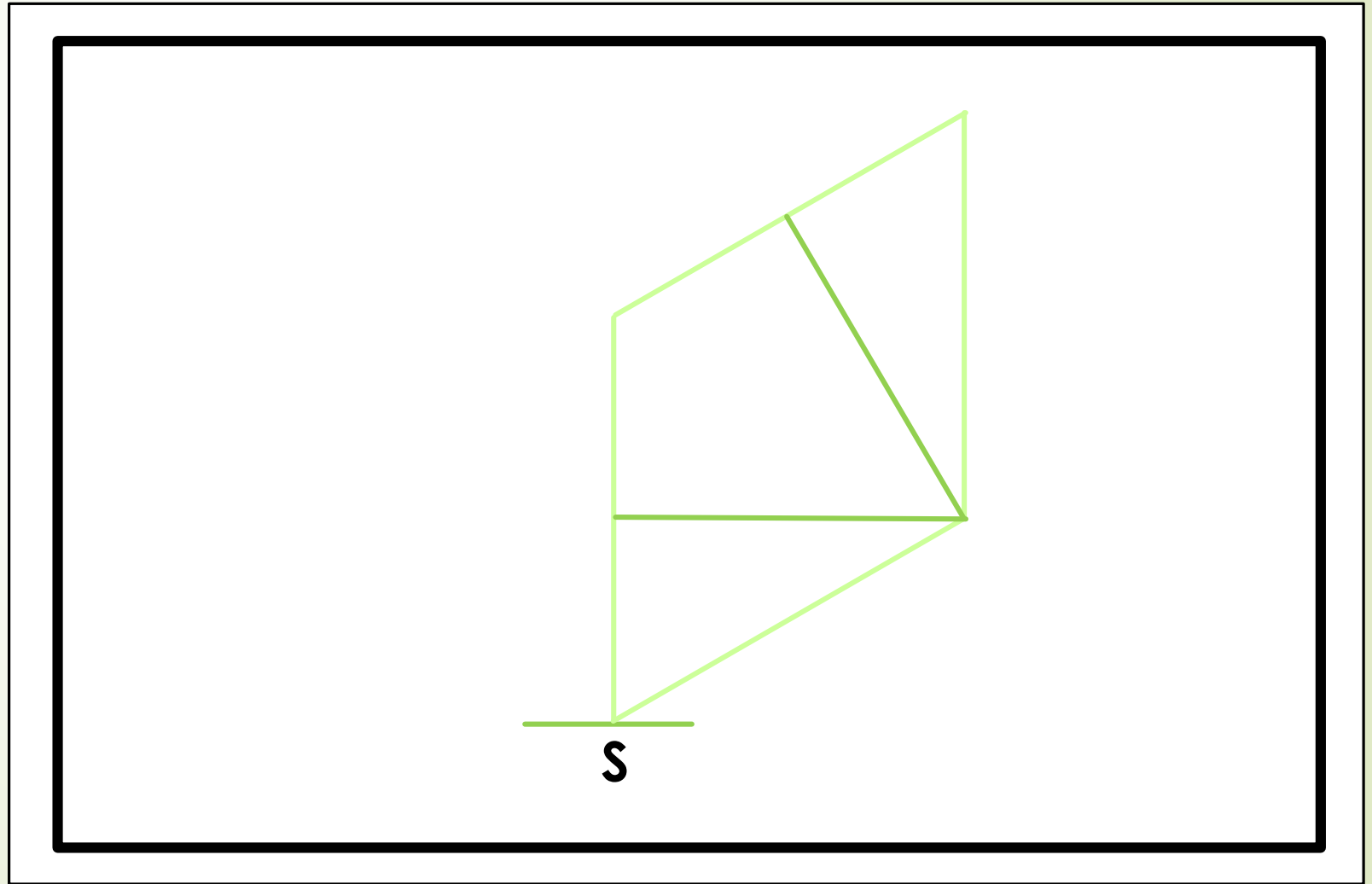
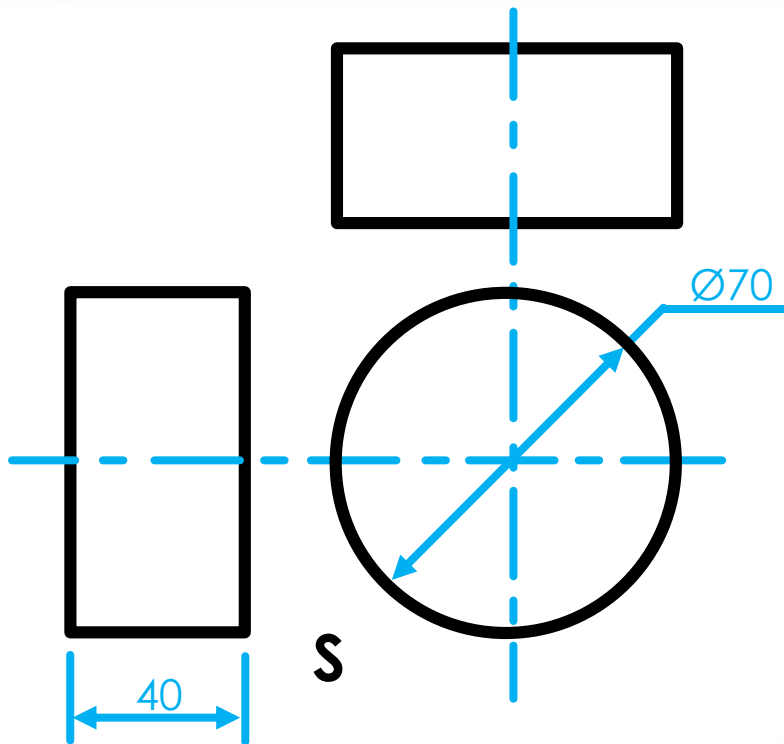
- Question: Use the given orthographic views and convert it into an isometric drawing with point S as the lowest point.



# ISOMETRIC DRAWINGS

Step 5

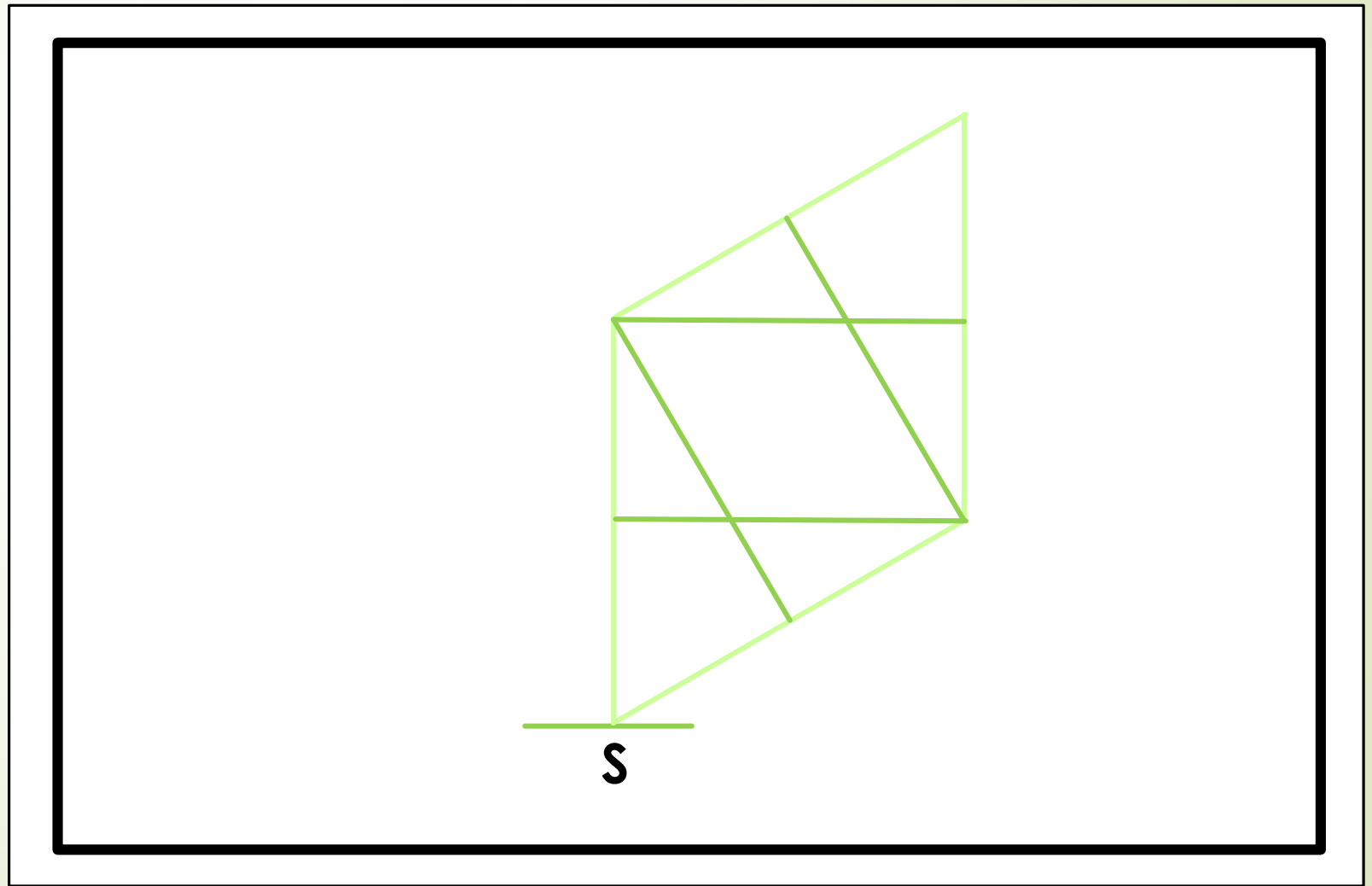
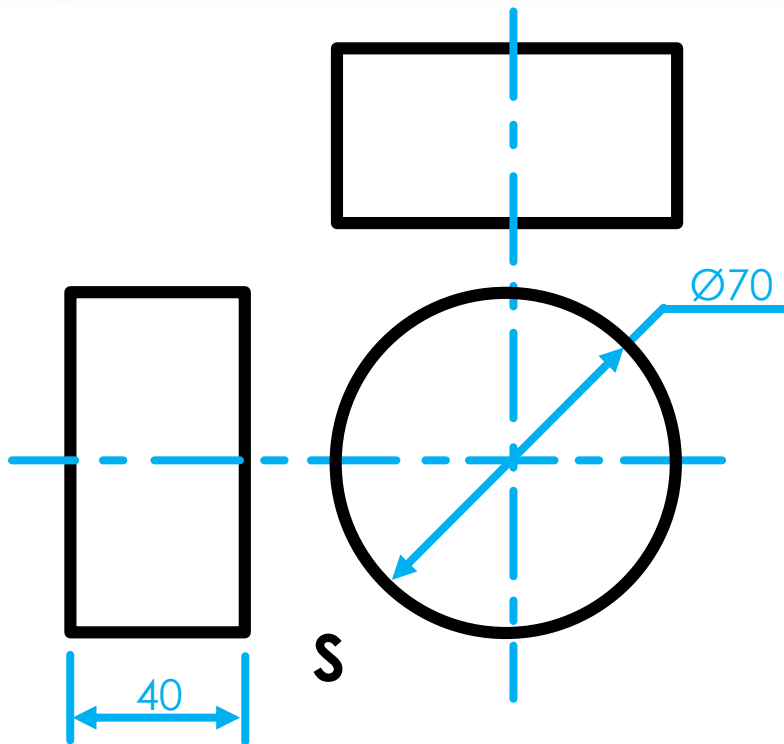
- Question: Use the given orthographic views and convert it into an isometric drawing with point S as the lowest point.



# ISOMETRIC DRAWINGS

Step 6

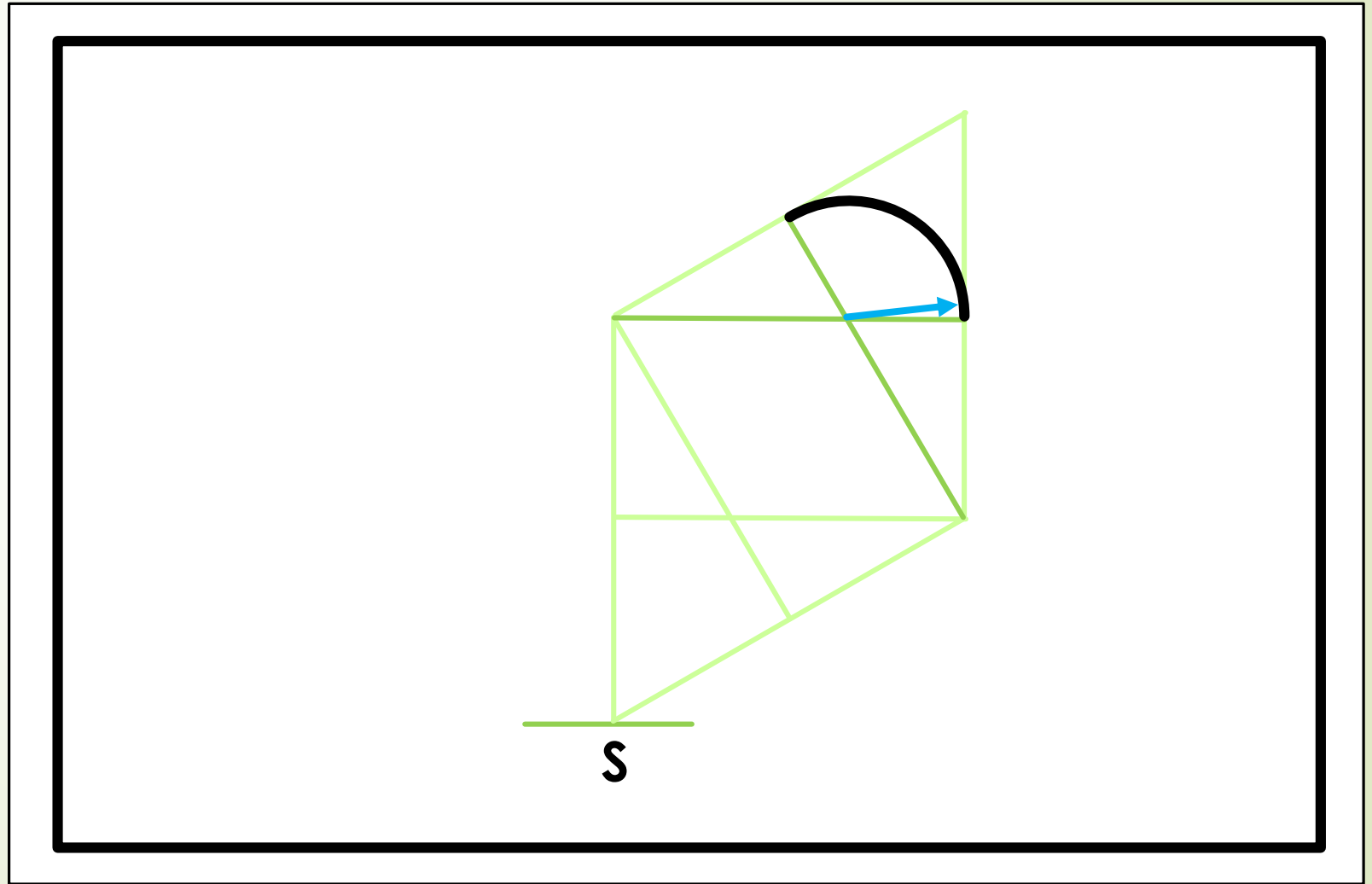
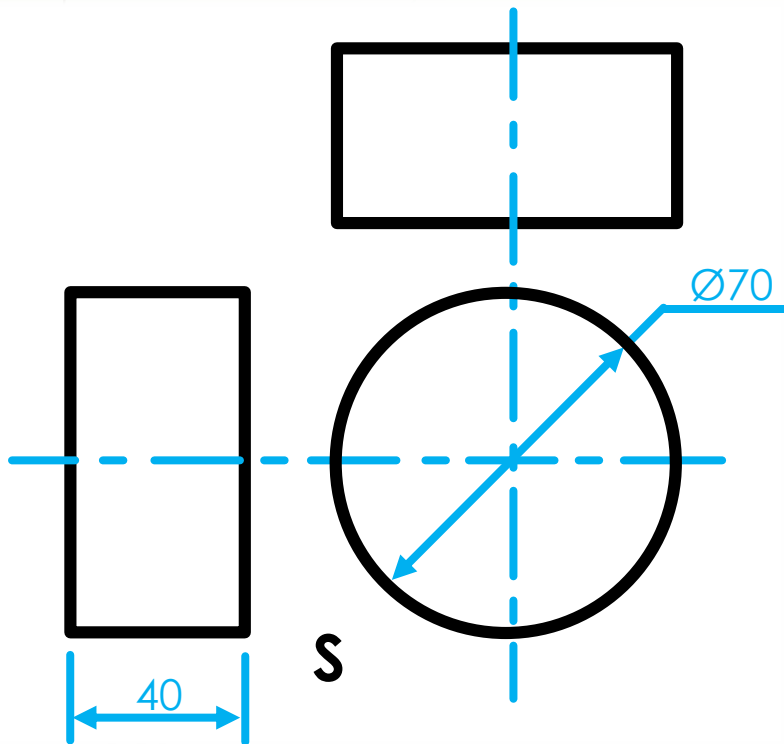
- Question: Use the given orthographic views and convert it into an isometric drawing with point S as the lowest point.



# ISOMETRIC DRAWINGS

Step 7

- Question: Use the given orthographic views and convert it into an isometric drawing with point S as the lowest point.

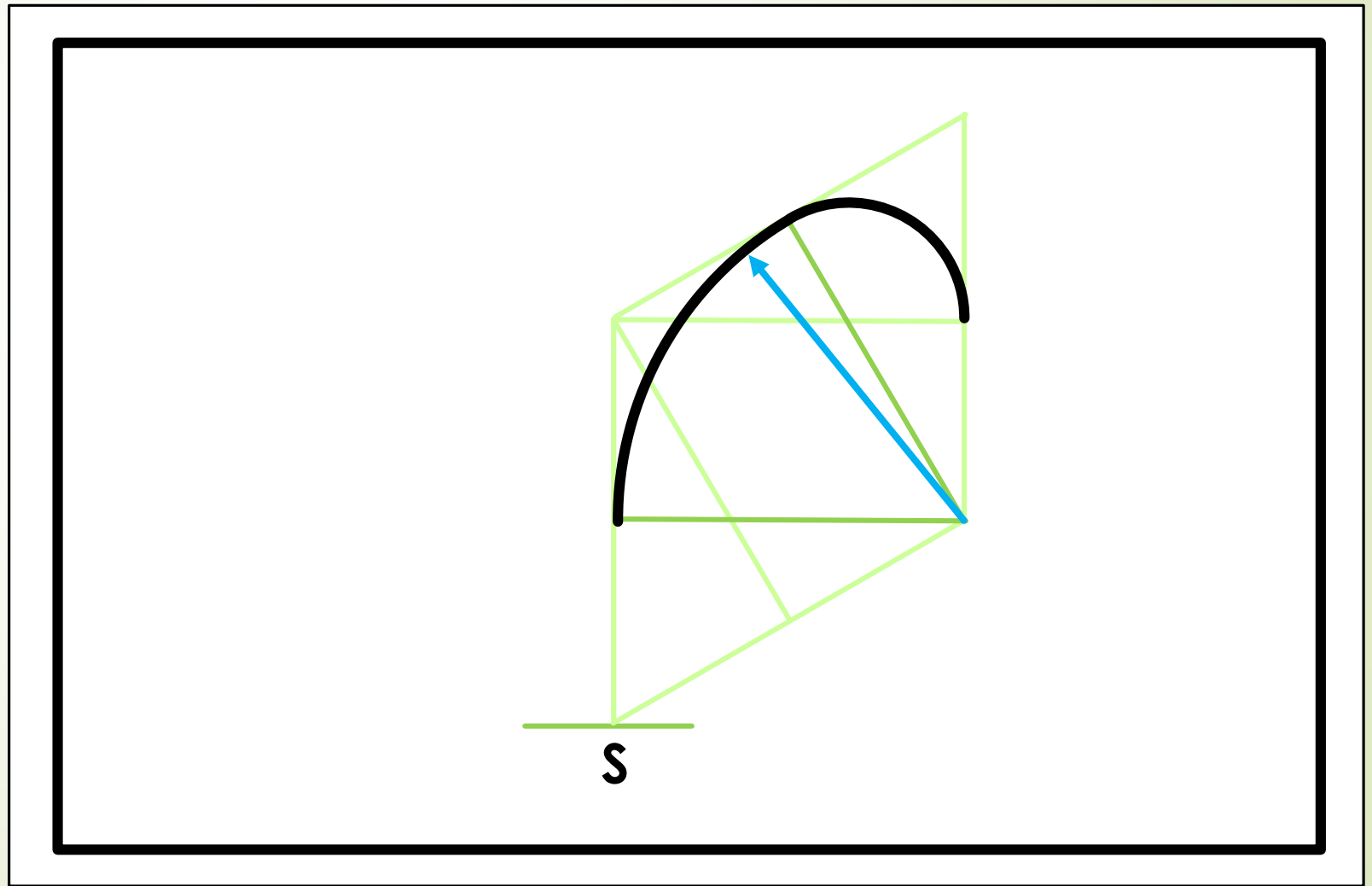
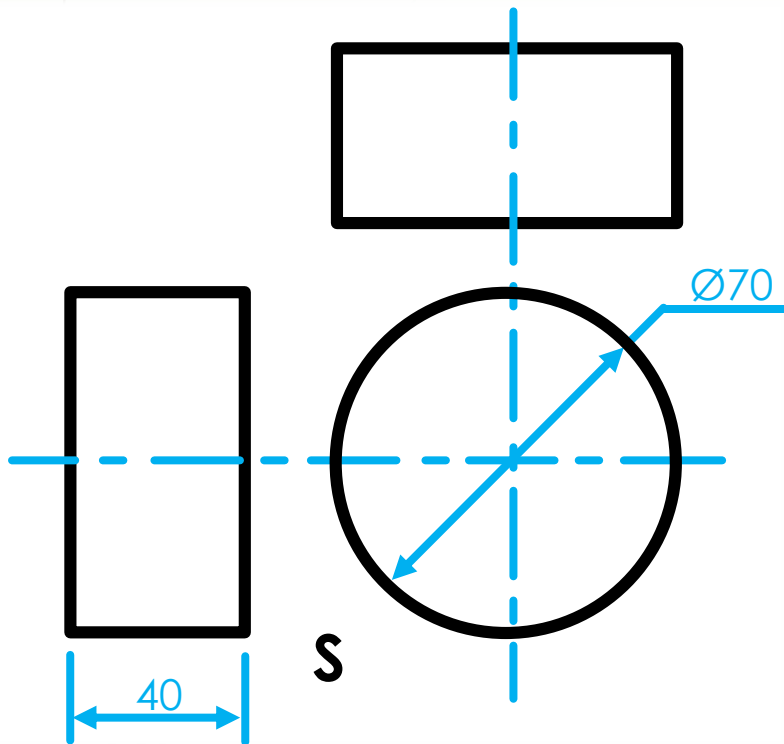




# ISOMETRIC DRAWINGS

Step 8

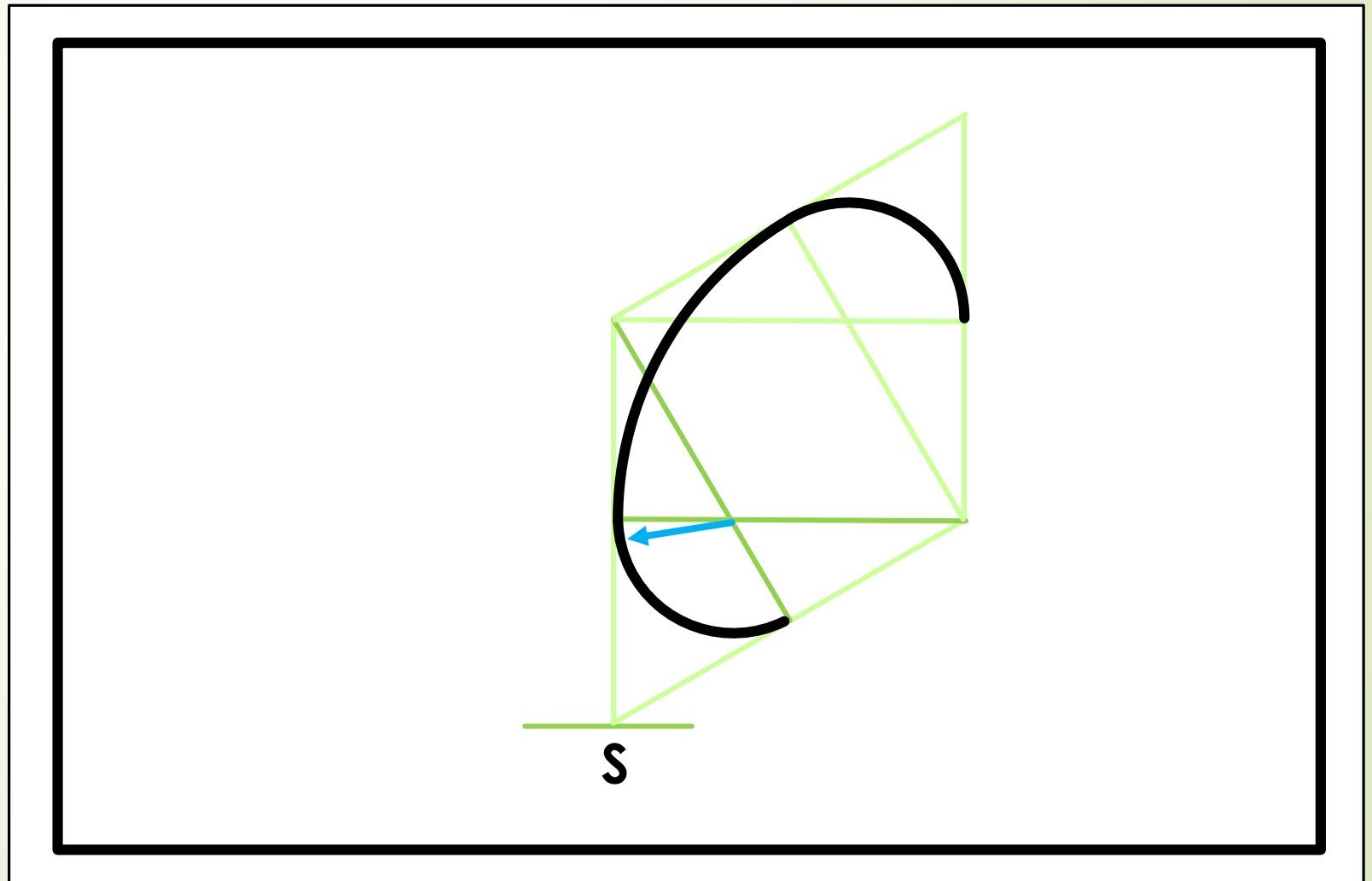
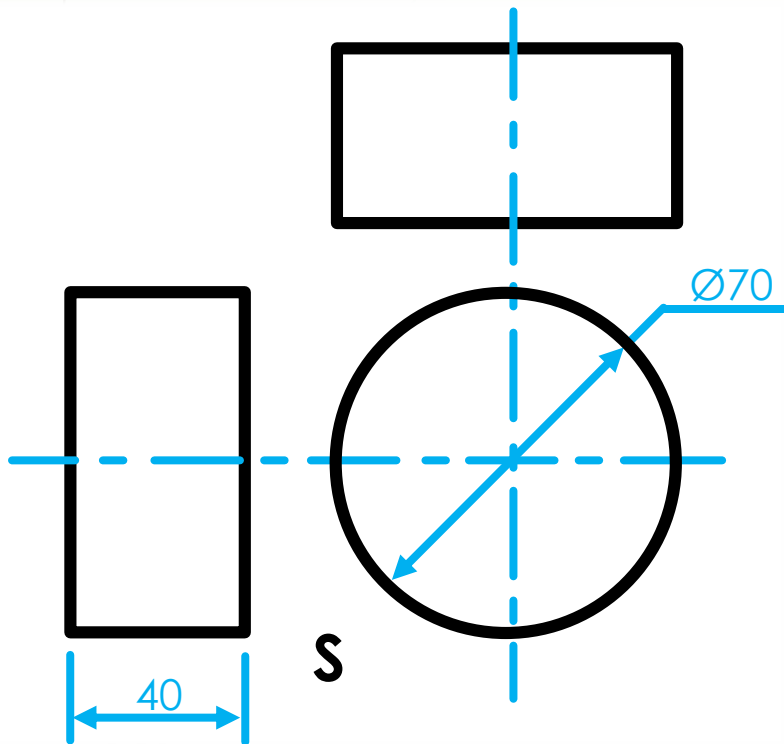
- Question: Use the given orthographic views and convert it into an isometric drawing with point S as the lowest point.



# ISOMETRIC DRAWINGS

Step 9

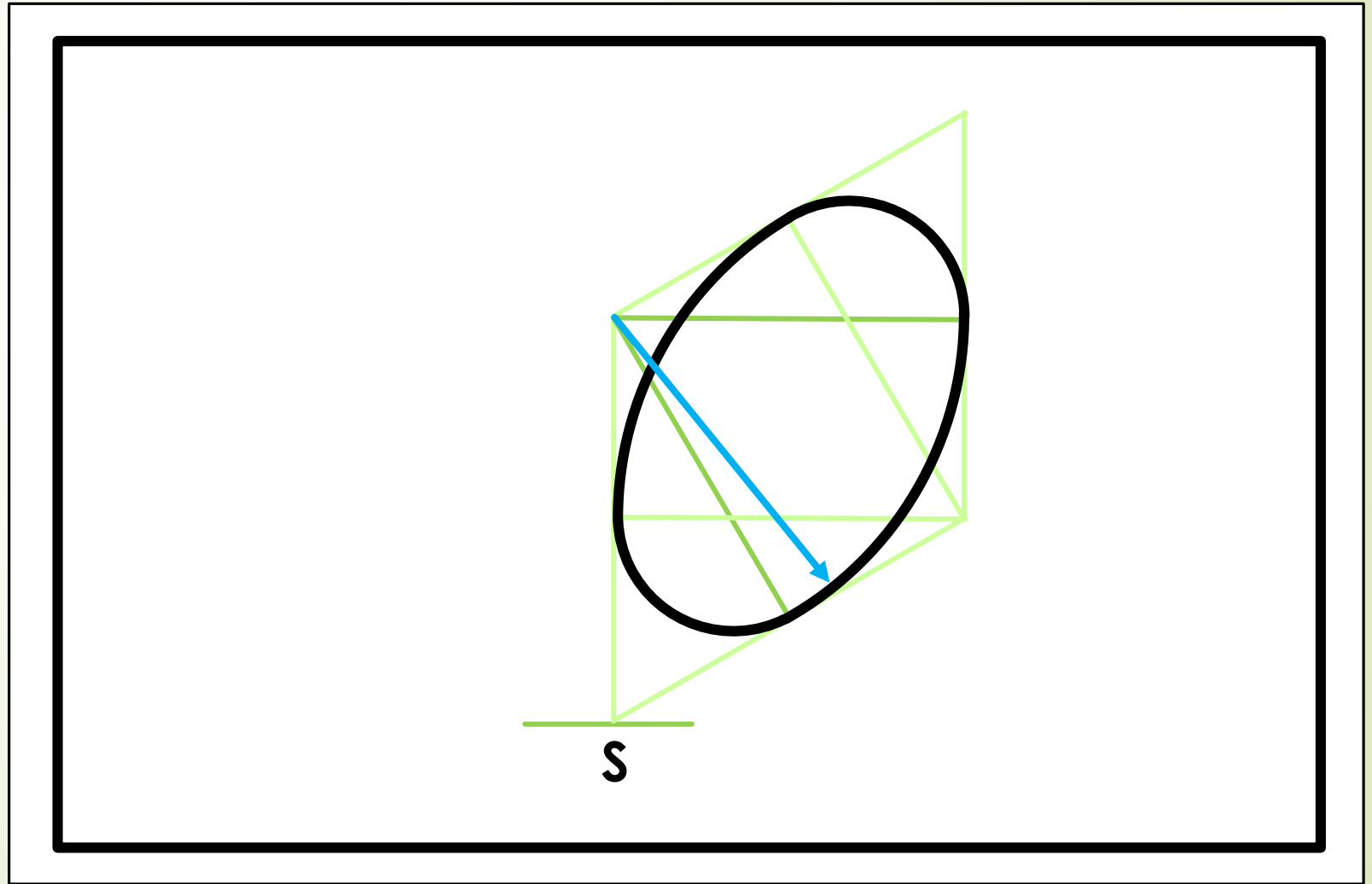
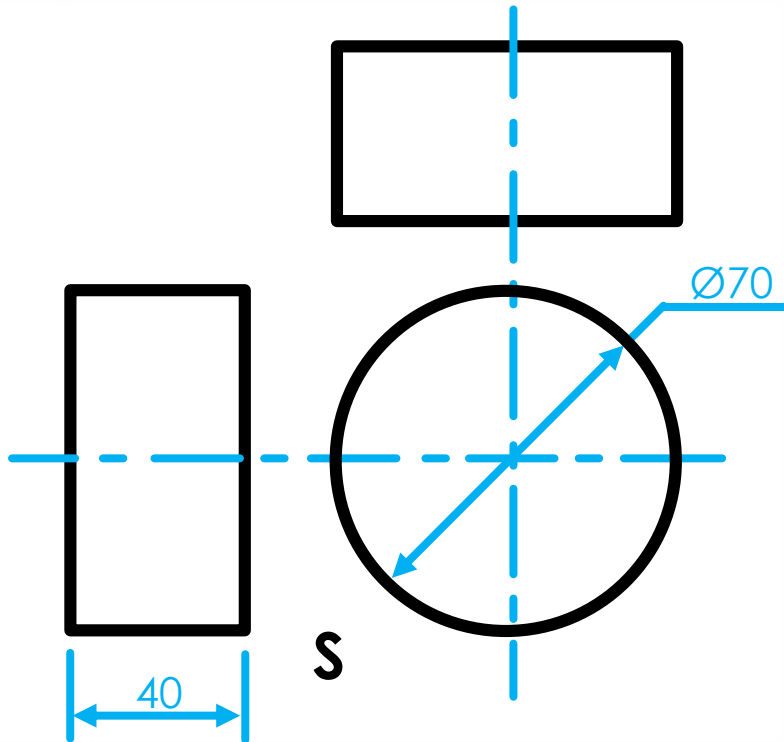
- Question: Use the given orthographic views and convert it into an isometric drawing with point S as the lowest point.



# ISOMETRIC DRAWINGS

Step 10

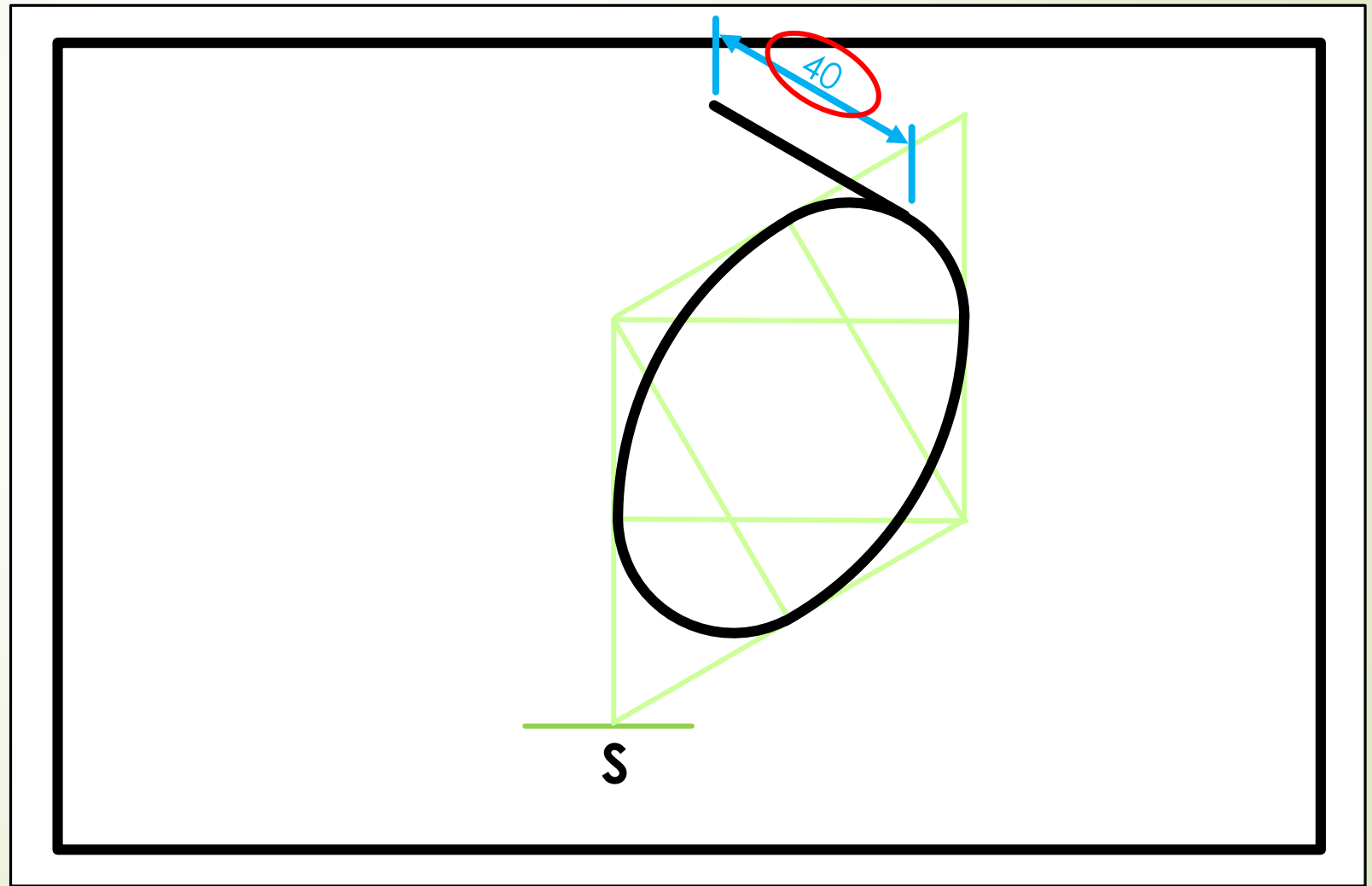
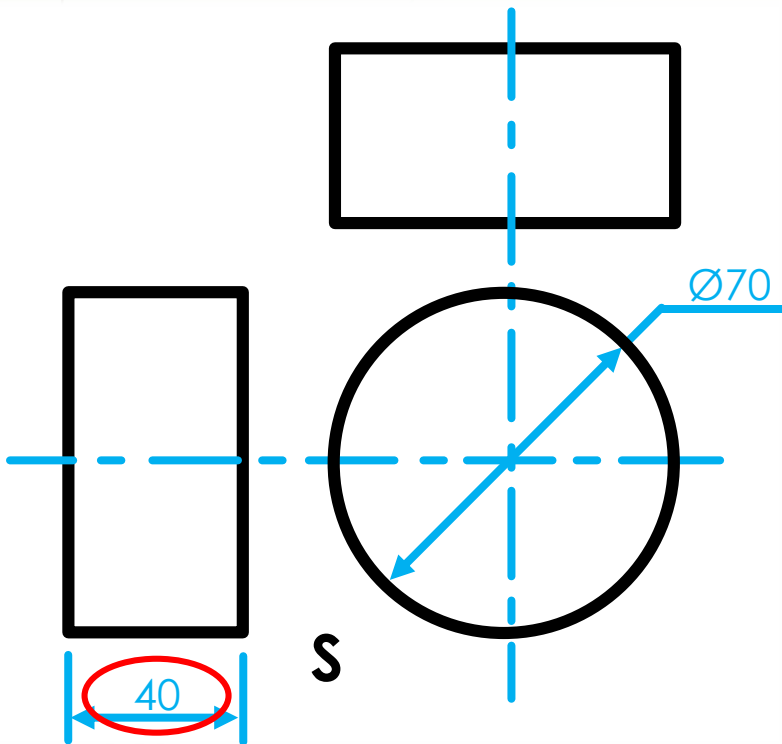
- Question: Use the given orthographic views and convert it into an isometric drawing with point S as the lowest point.



# ISOMETRIC DRAWINGS

Step 11

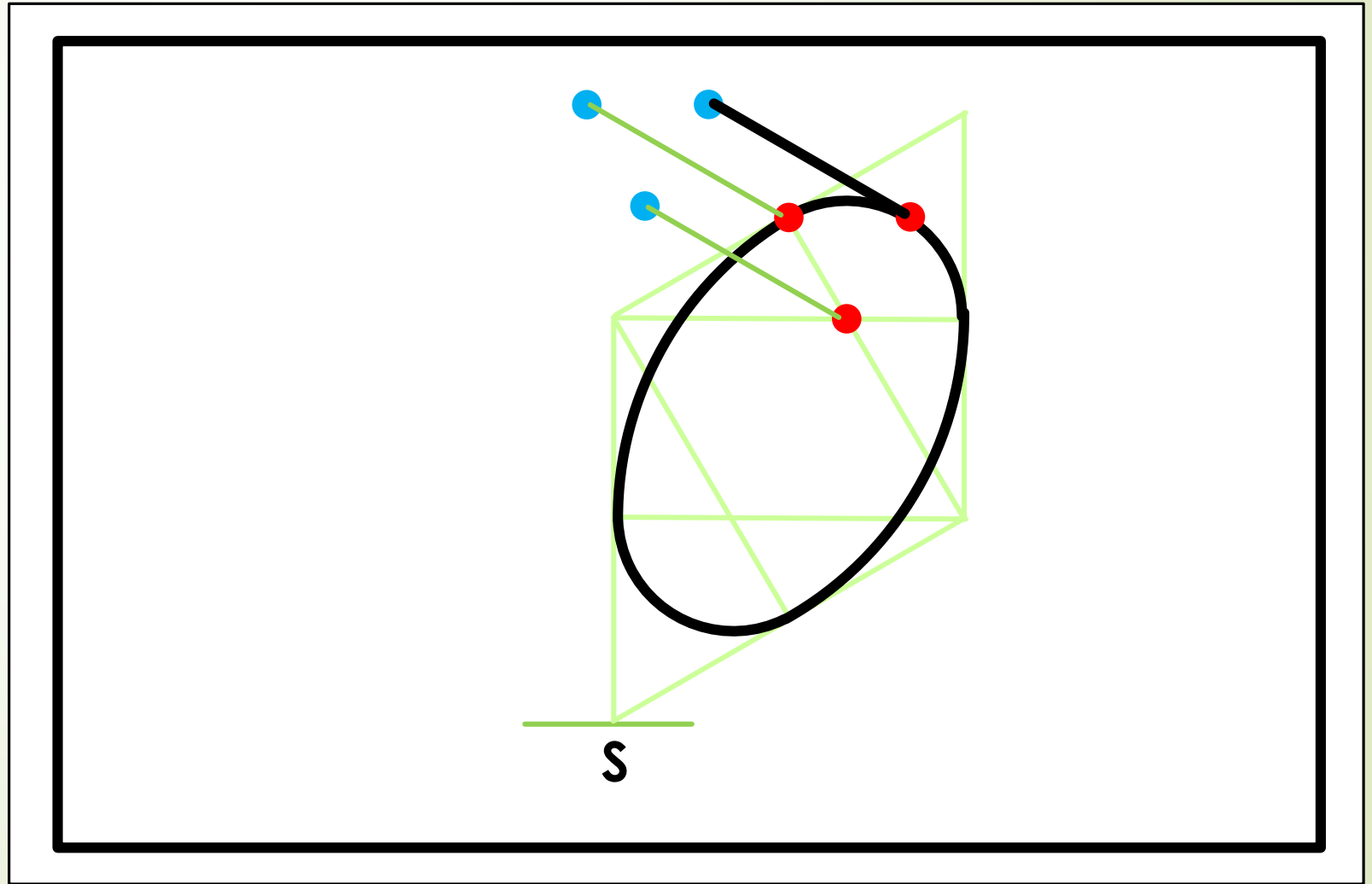
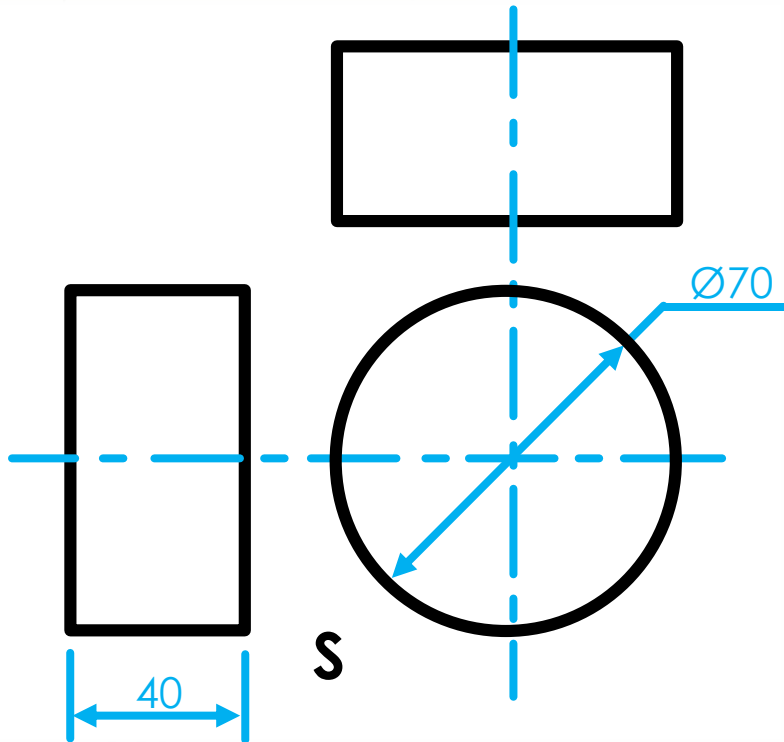
- Question: Use the given orthographic views and convert it into an isometric drawing with point S as the lowest point.



# ISOMETRIC DRAWINGS

Step 12

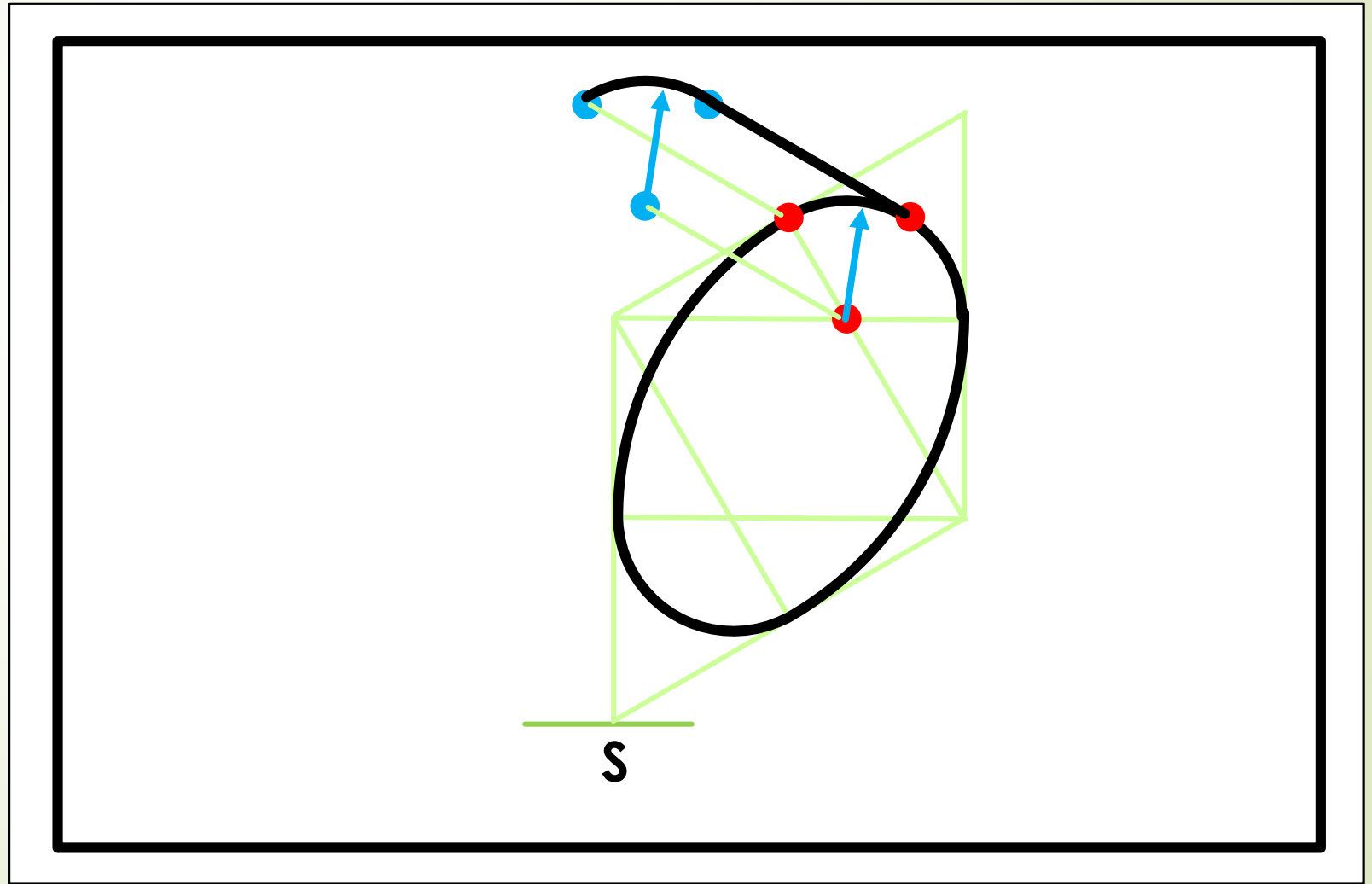
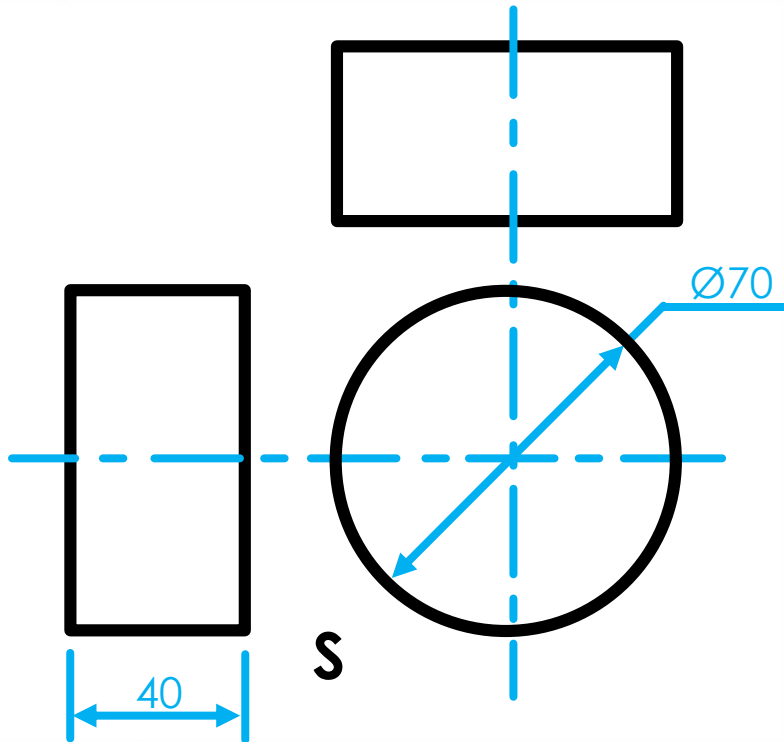
- **Question:** Use the given orthographic views and convert it into an isometric drawing with point S as the lowest point.



# ISOMETRIC DRAWINGS

Step 13

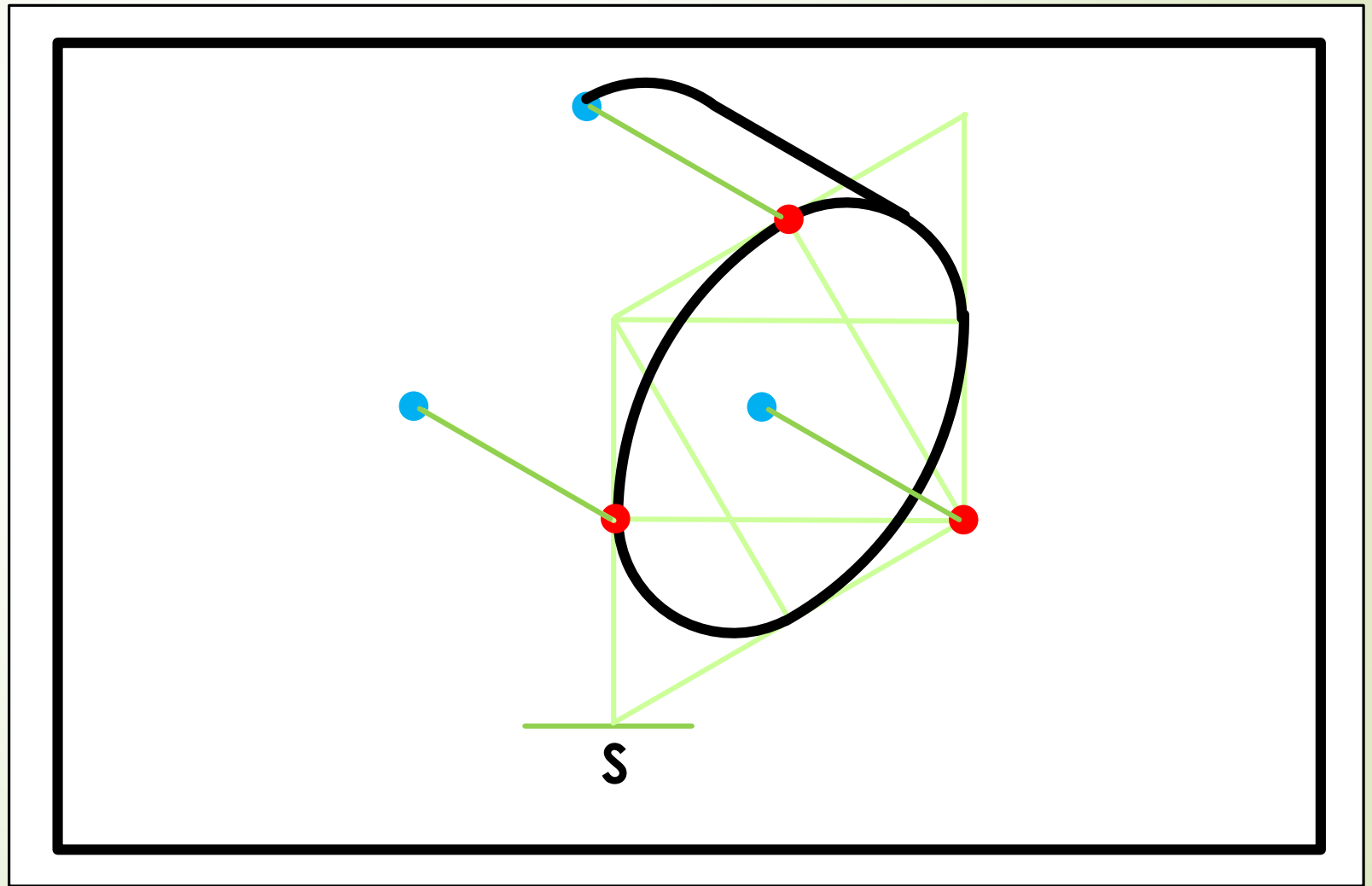
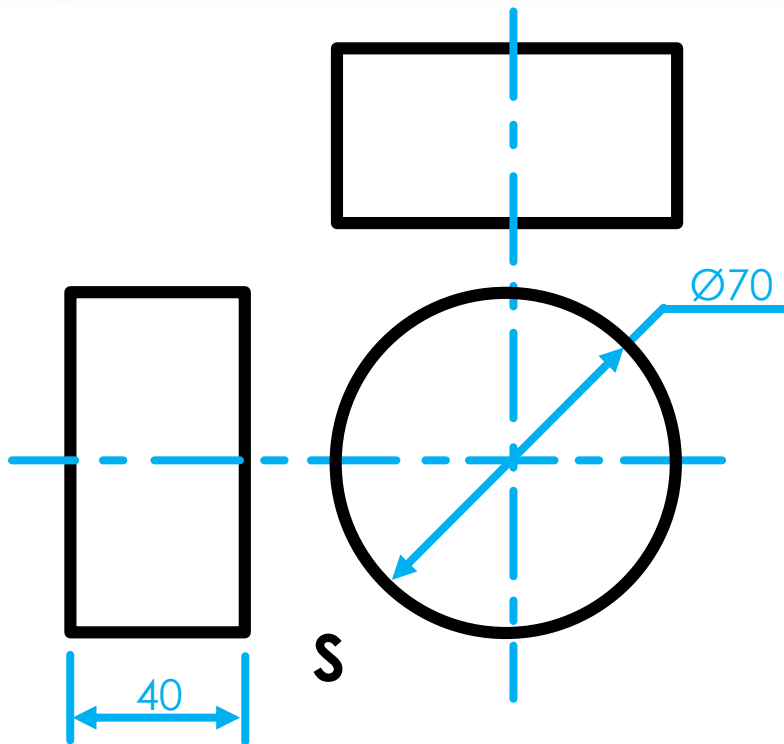
- Question: Use the given orthographic views and convert it into an isometric drawing with point S as the lowest point.



# ISOMETRIC DRAWINGS

Step 14

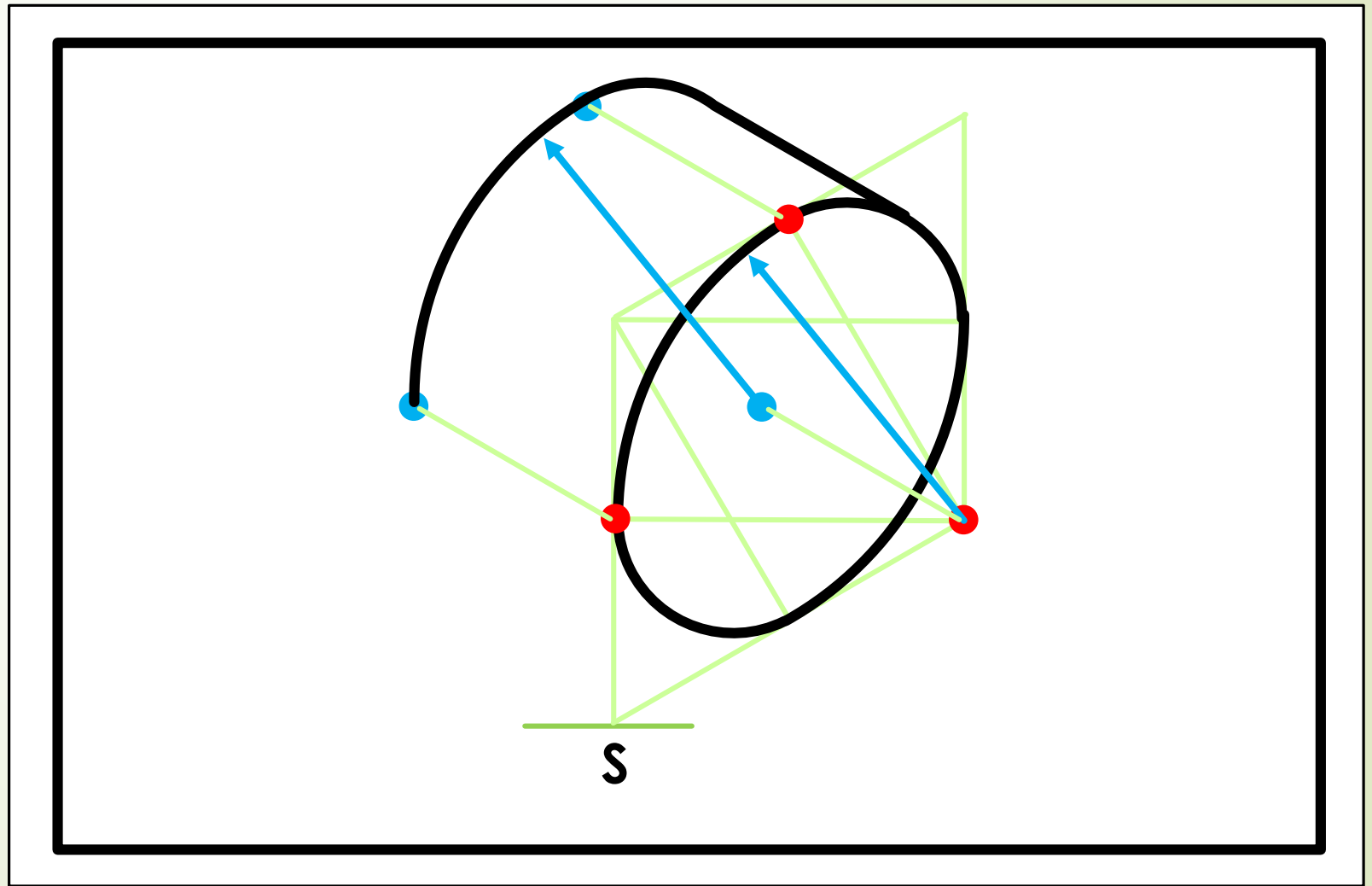
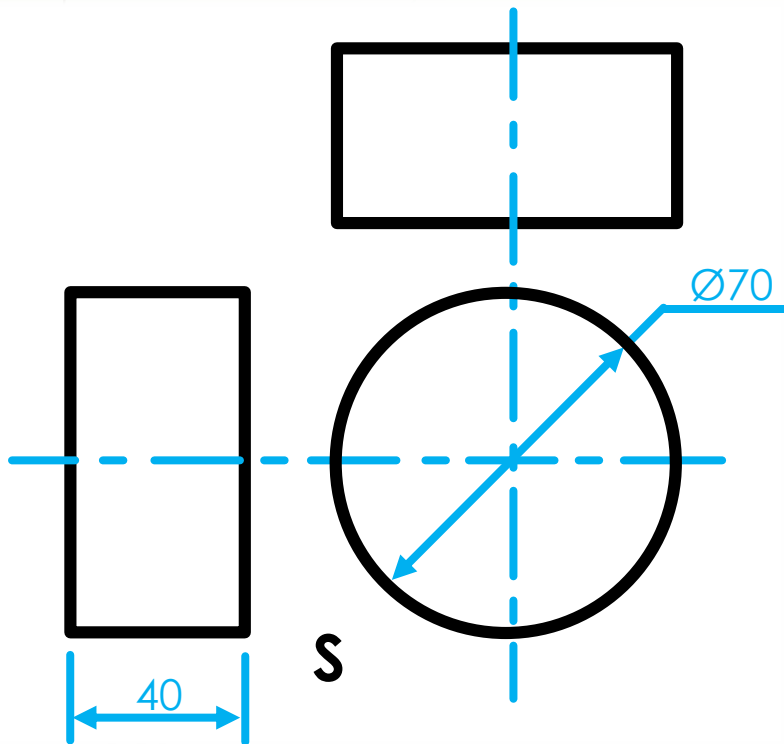
- Question: Use the given orthographic views and convert it into an isometric drawing with point S as the lowest point.



# ISOMETRIC DRAWINGS

Step 15

- Question: Use the given orthographic views and convert it into an isometric drawing with point S as the lowest point.

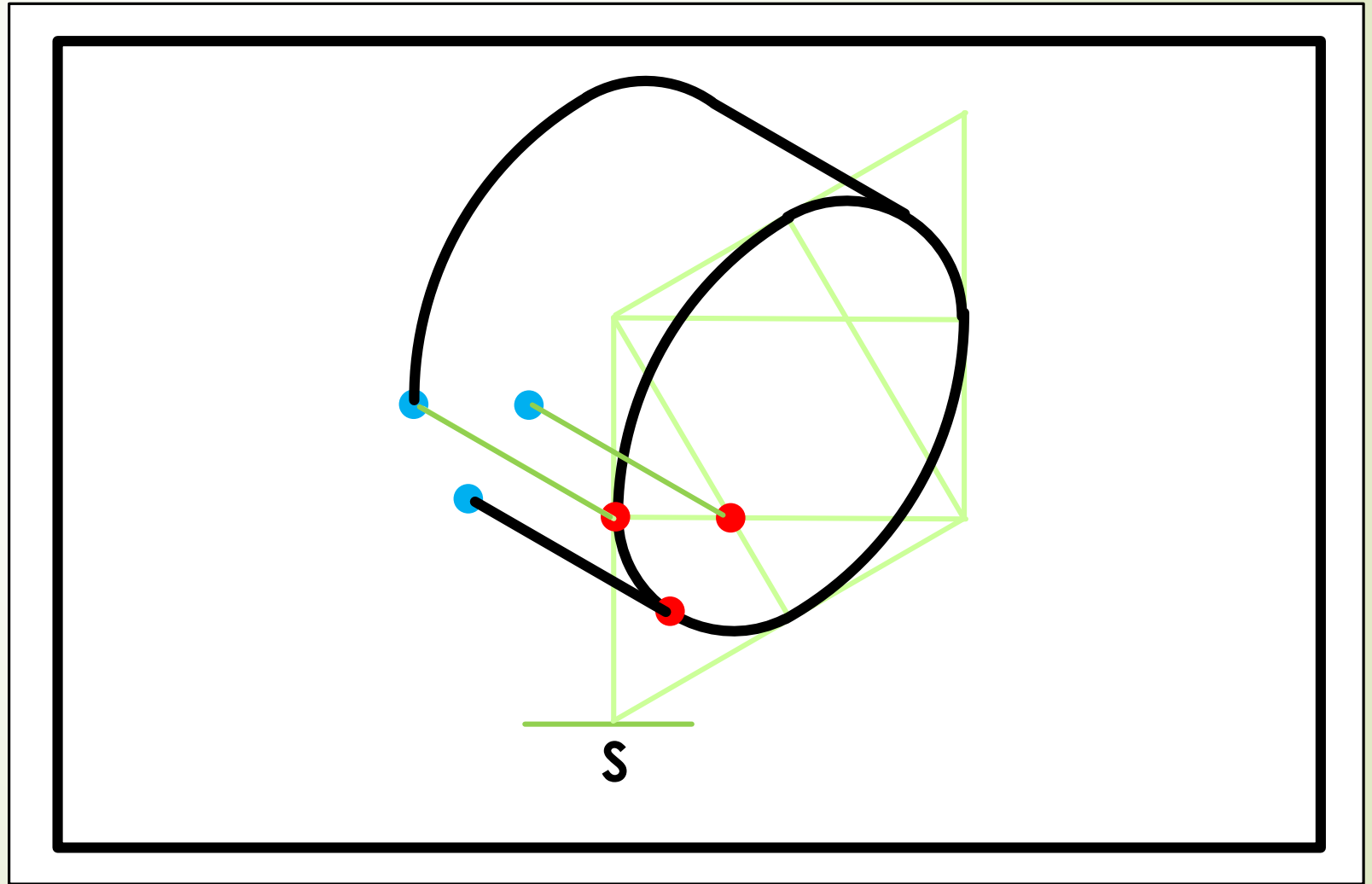
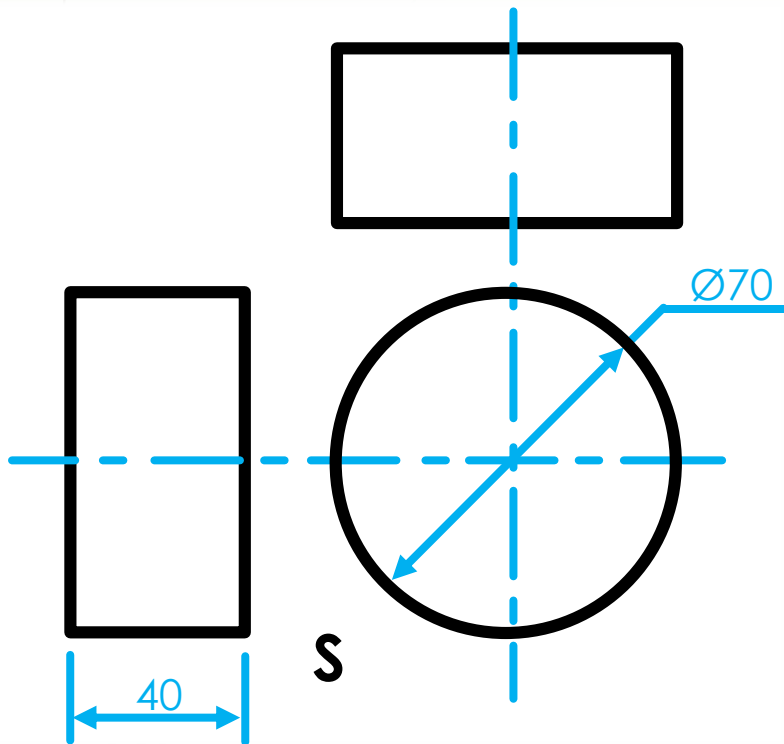




# ISOMETRIC DRAWINGS

Step 16

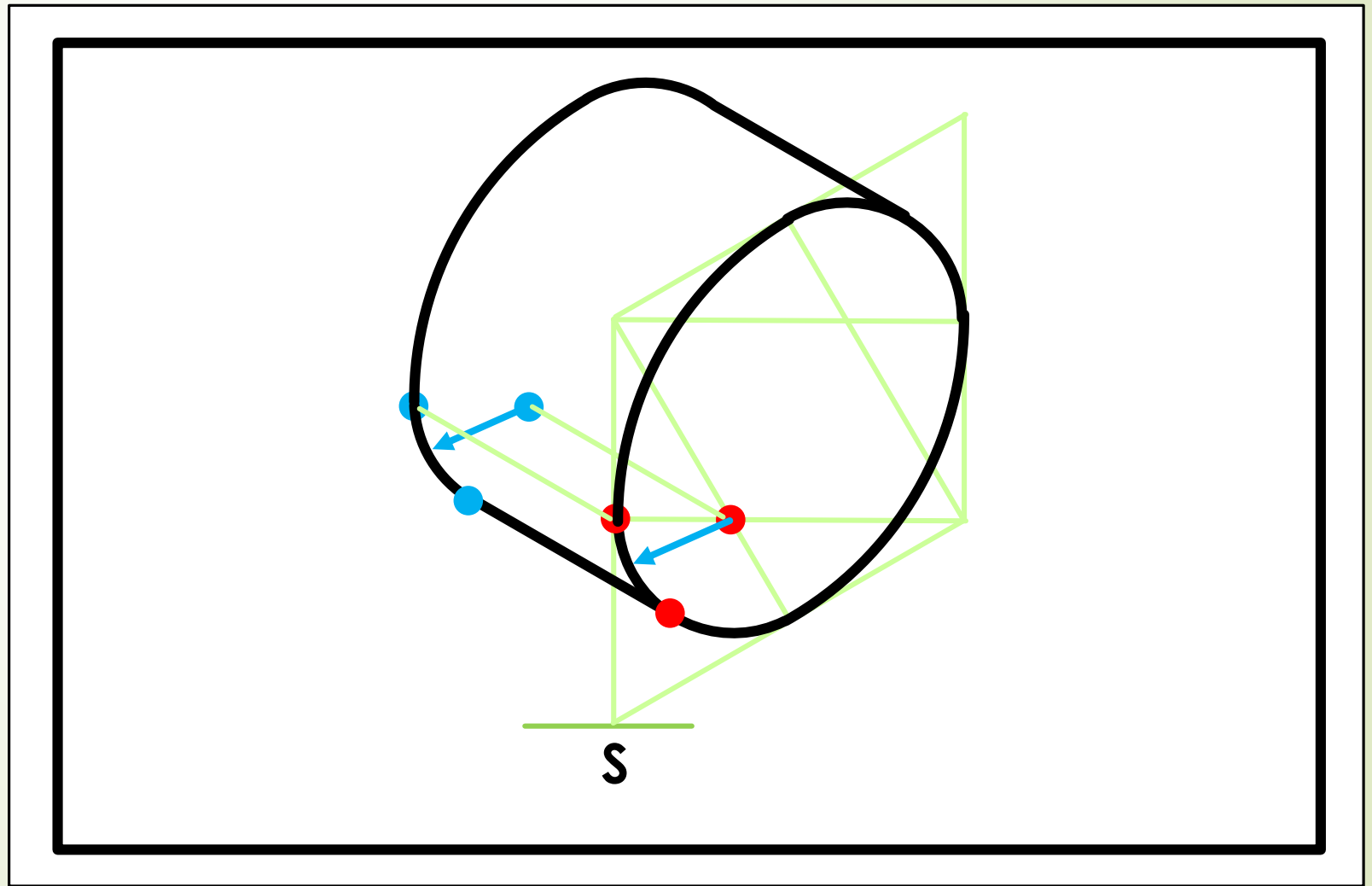
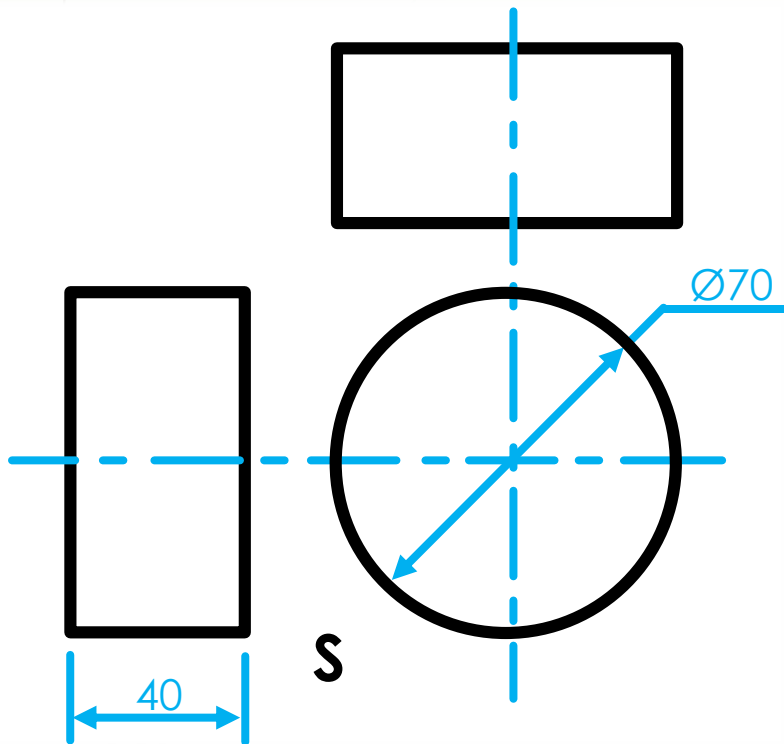
- **Question:** Use the given orthographic views and convert it into an isometric drawing with point S as the lowest point.



# ISOMETRIC DRAWINGS

Step 17

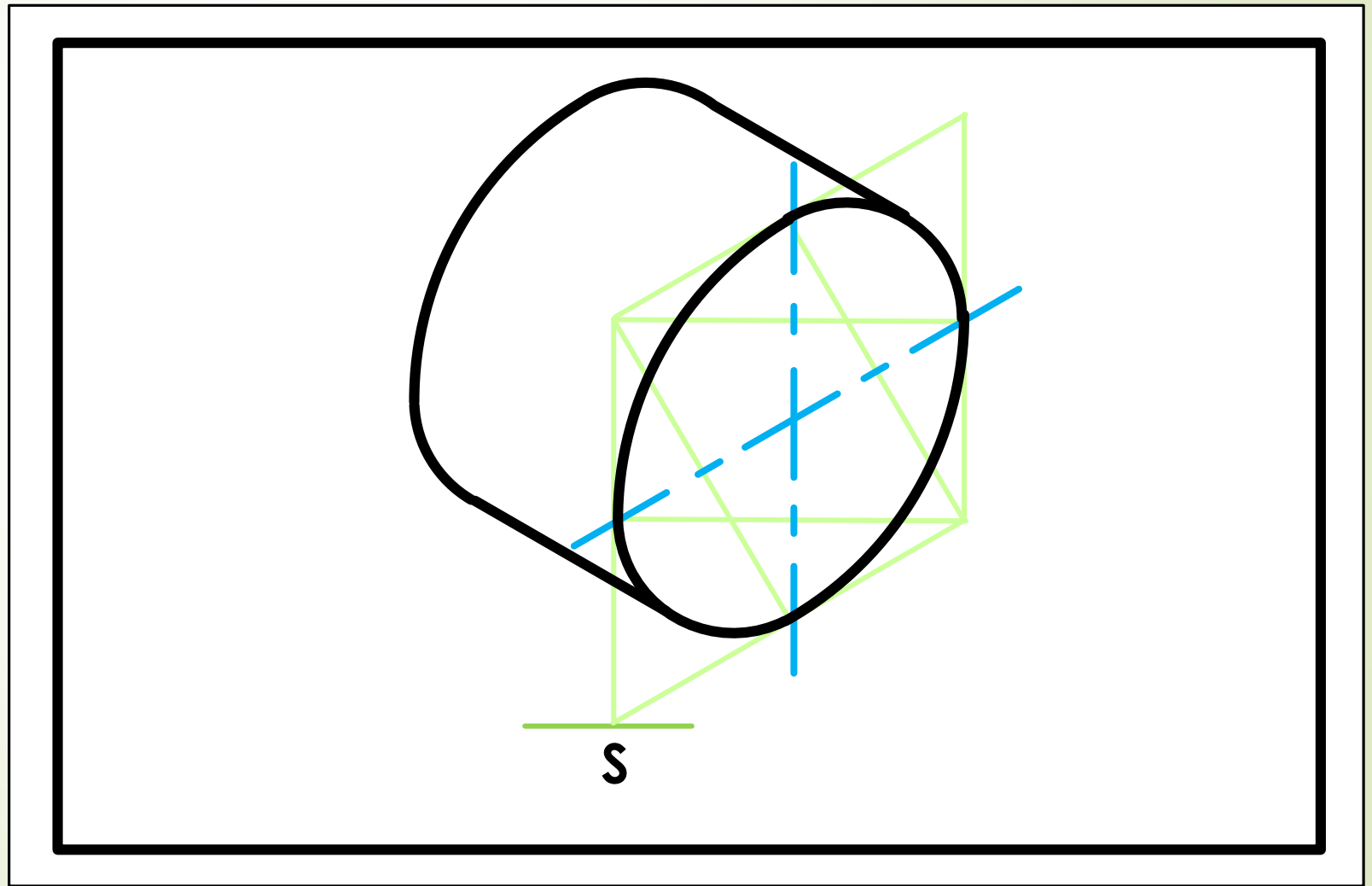
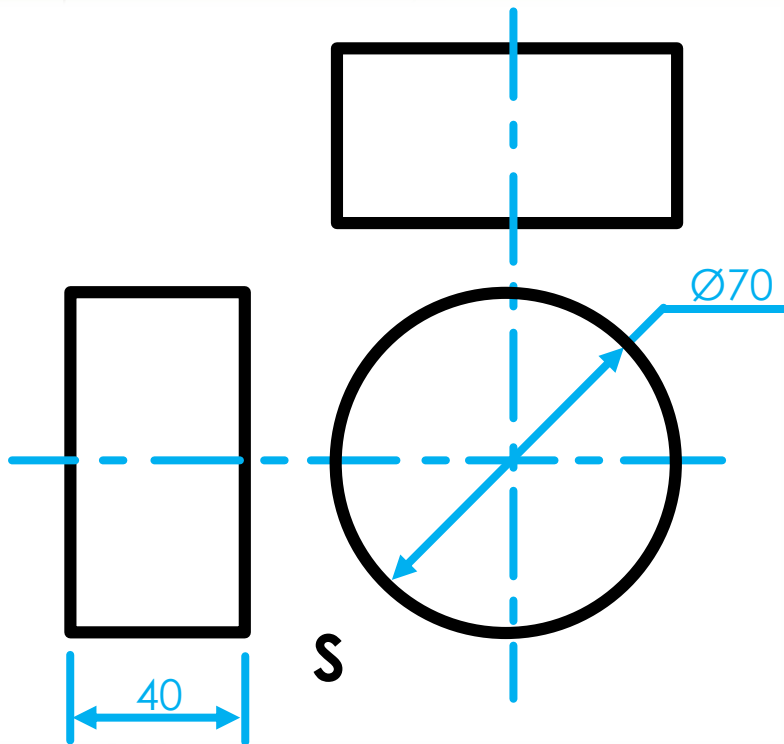
- **Question:** Use the given orthographic views and convert it into an isometric drawing with point S as the lowest point.



# ISOMETRIC DRAWINGS

Step 18

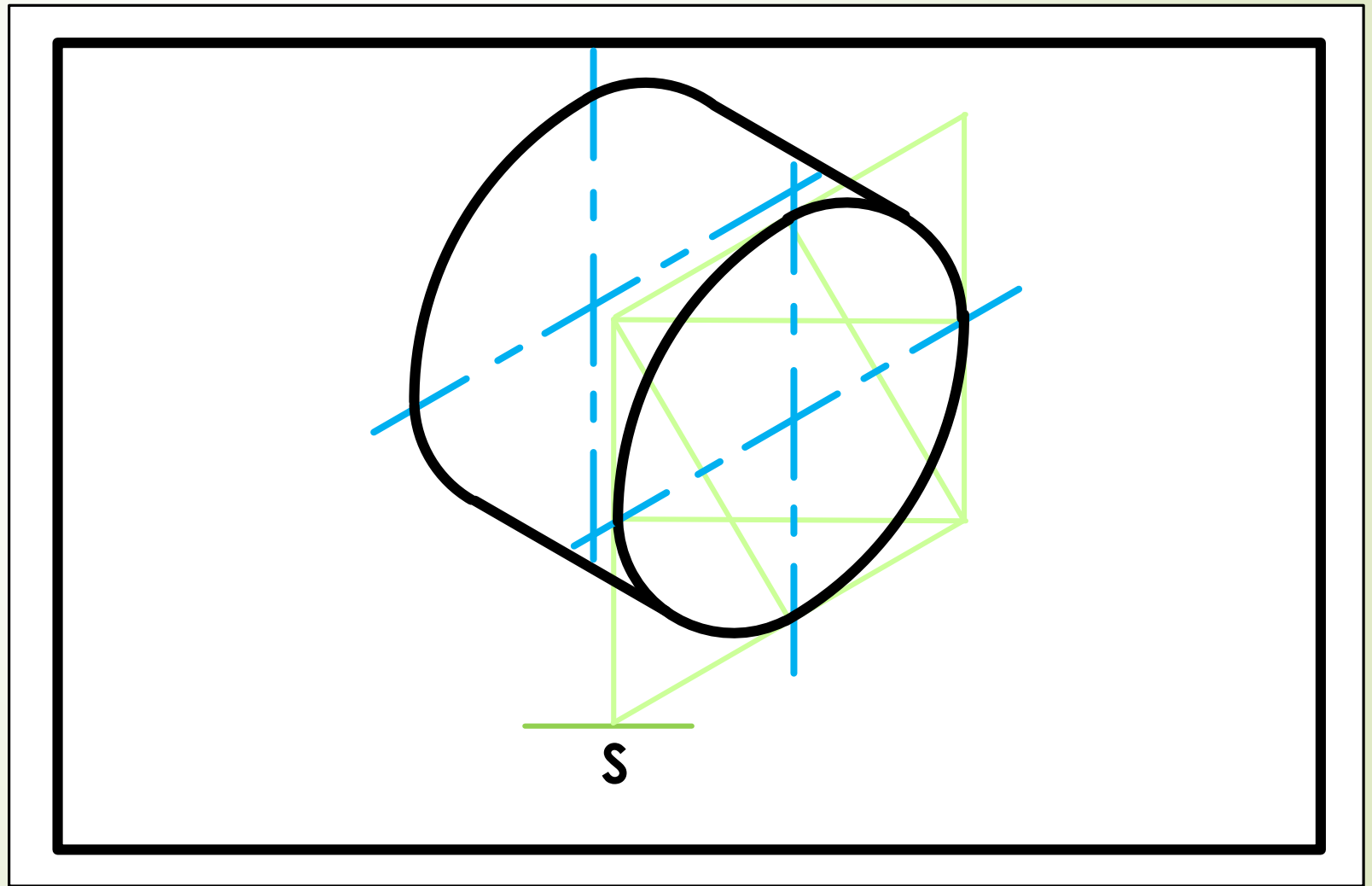
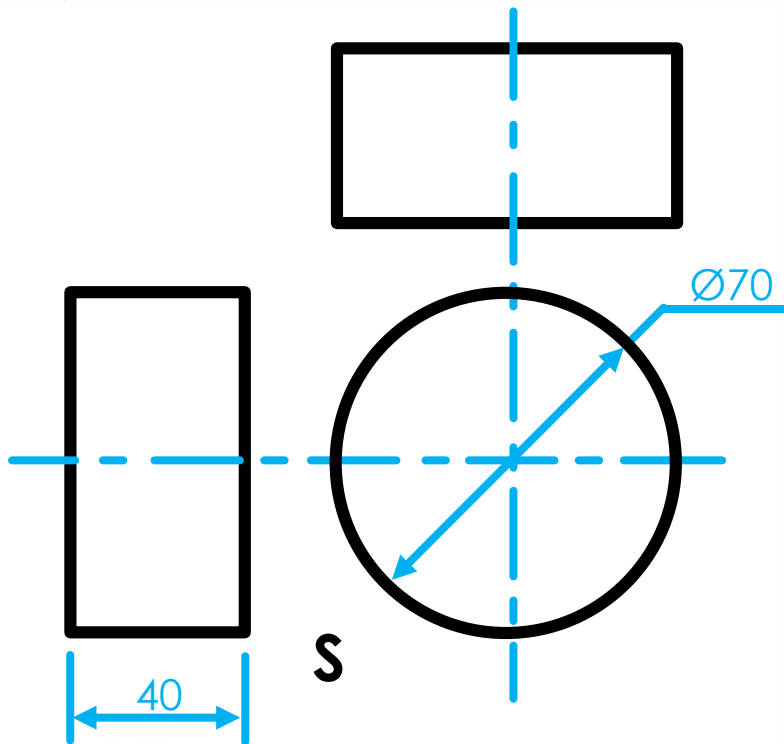
- Question: Use the given orthographic views and convert it into an isometric drawing with point S as the lowest point.



# ISOMETRIC DRAWINGS

Step 19

- **Question:** Use the given orthographic views and convert it into an isometric drawing with point S as the lowest point.



# ISOMETRIC DRAWINGS

Step 20

- Question: Use the given orthographic views and convert it into an isometric drawing with point S as the lowest point.

